

# Crystal Clear® FIBRE GLASS SAND FILTERS



*The Crystal Clear® FG range has been specifically designed for the filtration of water in swimming pools and spas.*

## FEATURES & BENEFITS

Constructed from strong corrosion and U.V. resistant polyester reinforced fibre glass, providing long and reliable working life.

6-way multiport valve for easy backwash and filter control at the flick of a handle.

Computer designed providing optimal tank strength and filtration performance.

Built-in waste port sight glass for high visibility during backwashing.

Large diameter tank for maximum filtration area.

More media capacity providing less frequent backwashing to save water.

Specially designed laterals and hub assembly to optimise water flow for superior backwashing.

Stainless steel oil filled pressure gauge makes it easy to see when backwashing is required.

Automatic air bleed prevents the build up of air in the tank ensuring effective filtration.

A.B.S. barrel unions supplied makes installation simple.

High rate design for maximum efficiency, suitable for sand, Zelbrite and silica media.

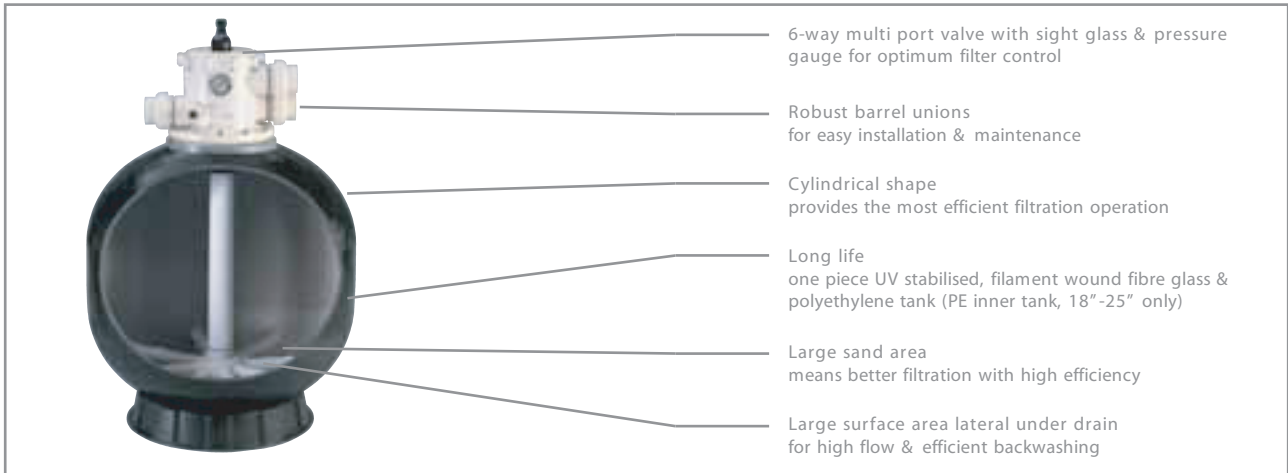
DEPEND ON  
**DAVEY**

WATER PRODUCTS

**10yr TANK GUARANTEE**



## FIBRE GLASS SAND FILTERS

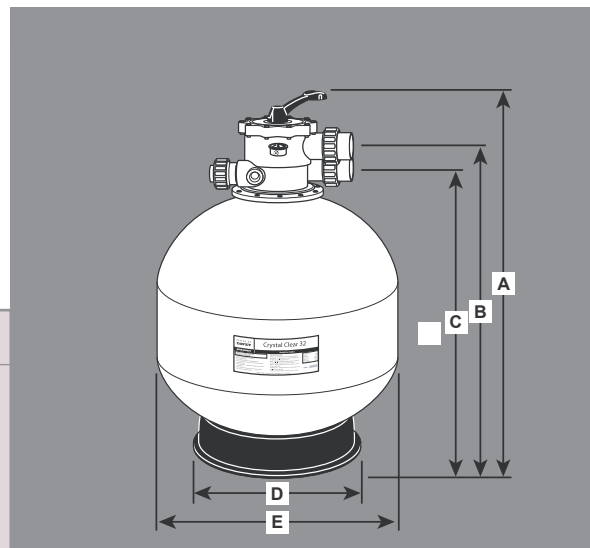


Model	Sand Required (kg/bags)	Zelbrite Required (kg/bags)	Max Flow Rate (lpm)	Min Backwash Flow Rate (lpm)	6 Hour Turnover (litres)	Filtration Area (sq metres)
Crystal Clear PF18	45/3	34/3	135	90	46,800	0.16
Crystal Clear PF21	85/5	64/5	185	123	66,600	0.22
Crystal Clear PF25	145/8	109/8	260	173	93,600	0.32
Crystal Clear PF28	215/11	161/11	336	224	120,960	0.41
Crystal Clear PF32	250/13	180/12	415	277	149,400	0.50
Crystal Clear PF36	350/18	263/18	520	224	187,200	0.64

Maximum Water Temperature (degrees C)	40
Maximum Operating Pressure (kPa)	280

<b>FG</b>	<b>28</b>
FG = Fibre Glass	28 = 28 inch tank diameter

MODEL	A	B	C	D	E	Inlet P.V.C.	Outlet P.V.C.
Crystal Clear FG18	814	619	550	390	455	40	40
Crystal Clear FG21	845	730	670	500	535	40	40
Crystal Clear FG25	950	835	775	500	635	40	40
Crystal Clear FG28	1092	960	877	500	723	50	50
Crystal Clear FG32	1200	1085	1002	753	800	50	50
Crystal Clear FG36	1300	1172	1090	753	900	50	50



All dimensions in mm unless otherwise stated.